

THE PRODUCT PUBLICATION OF THE U.S. ARCHITECTURAL MARKET

Architectural PRODUCTS

PIA'12

PRODUCT INNOVATION AWARDS

COVERAGE BEGINS ON
PAGE 30

NOVEMBER 2012

HONORING PRODUCT INNOVATION

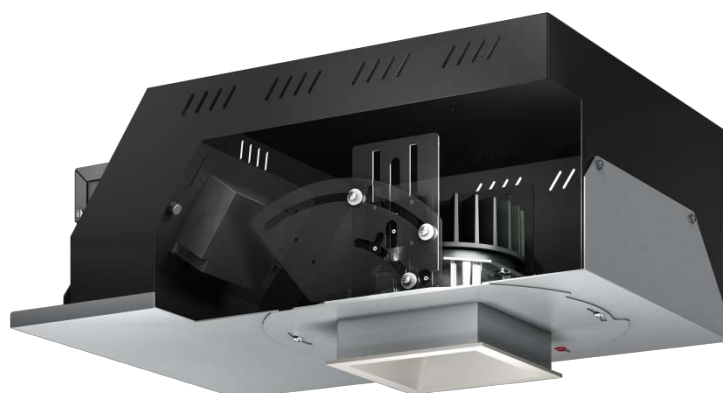
Concrete & Masonry
Elevators & Conveyance
Furnishings
HVAC & Ventilation
Thermal & Moisture Protection
Restroom Products
Plumbing Equipment
Openings, Doors, Windows
Solar & Solar Control
Site-Generated Energy
Lighting Controls
Interior Lighting
Exterior Lighting
Surfaces: Ceilings
Surfaces: Floors
Surfaces: Walls
Multi-Surface
Metals





PRODUCT INNOVATION
AWARDS 2012

LIGHTING & ELECTRICAL: INTERIOR AMBIENT



USAI LIGHTING
BeveLED 2.0

Category: **Lighting & Electrical: Interior Ambient**

It's Got the Power

Delivering more than 2,000 lumens using just 33 watts, the BeveLED 2.0 from USAI Lighting meets a range of application needs with a variety of apertures and trims. Precise optical control provides 80+ and 90+ color rendering indexes, and the universal housing allows one-step transition between downlight, adjustable and wall-wash functions, even after installation. www.usalighting.com, Circle 472



PRODUCT INNOVATION
AWARDS 2012

LIGHTING & ELECTRICAL: INTERIOR AMBIENT



USAI LIGHTING
NanoLED NXT

Category: **Lighting & Electrical: Interior Ambient**

☑ Raising the Bar

Bringing the first 10-degree optic within a 2.5-in. aperture to market, the NanoLED NXT from USAI Lighting is "one of the best downlight aiming systems available," claims one judge. In fact, that fixture delivers more than 1,100 lumens at almost 50 lumens per watt, provides optimal beam control, and offers a high level of fixture-to-fixture color consistency and superior thermal management, all within a small package. www.usailighting.com, Circle 481